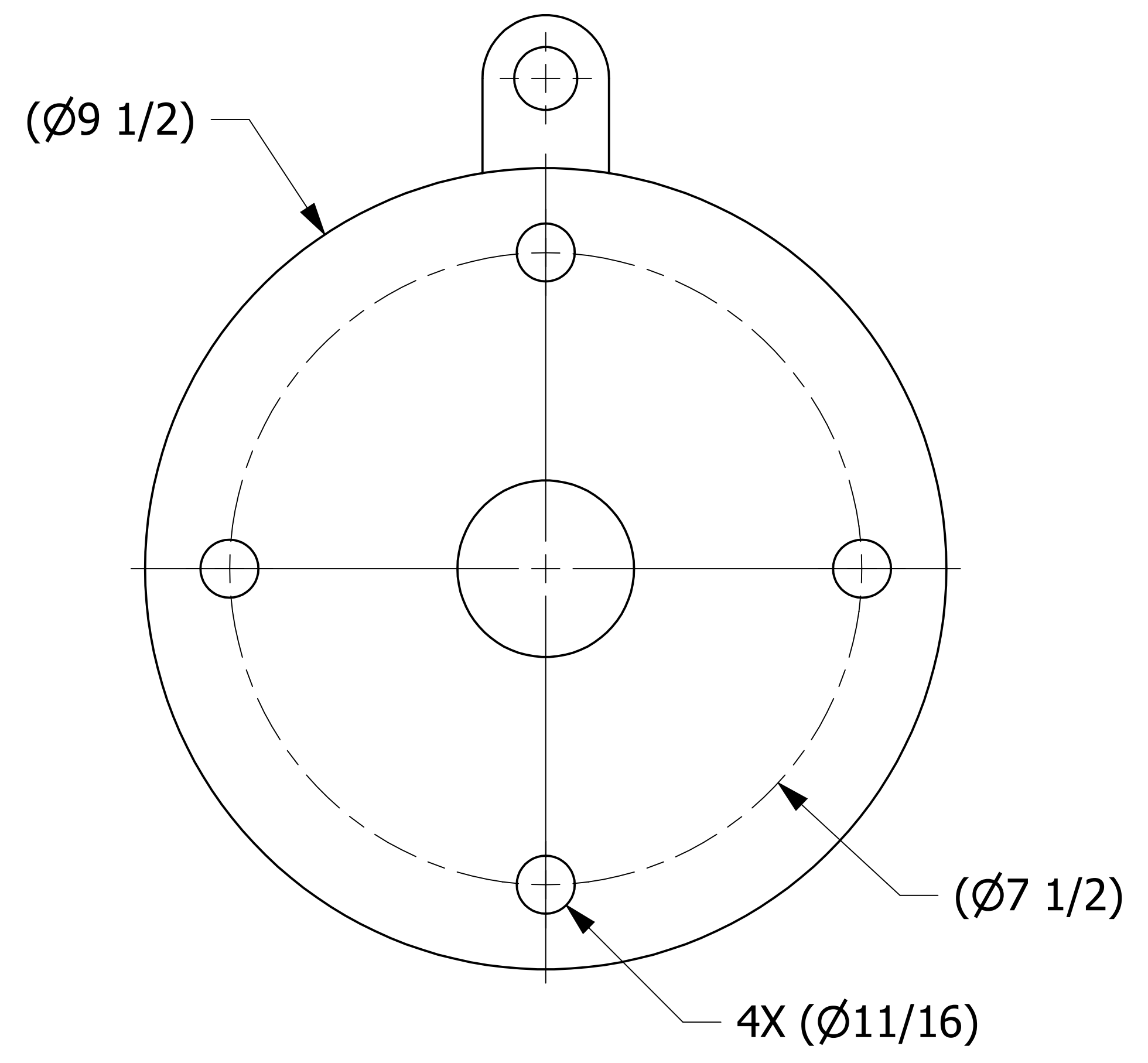
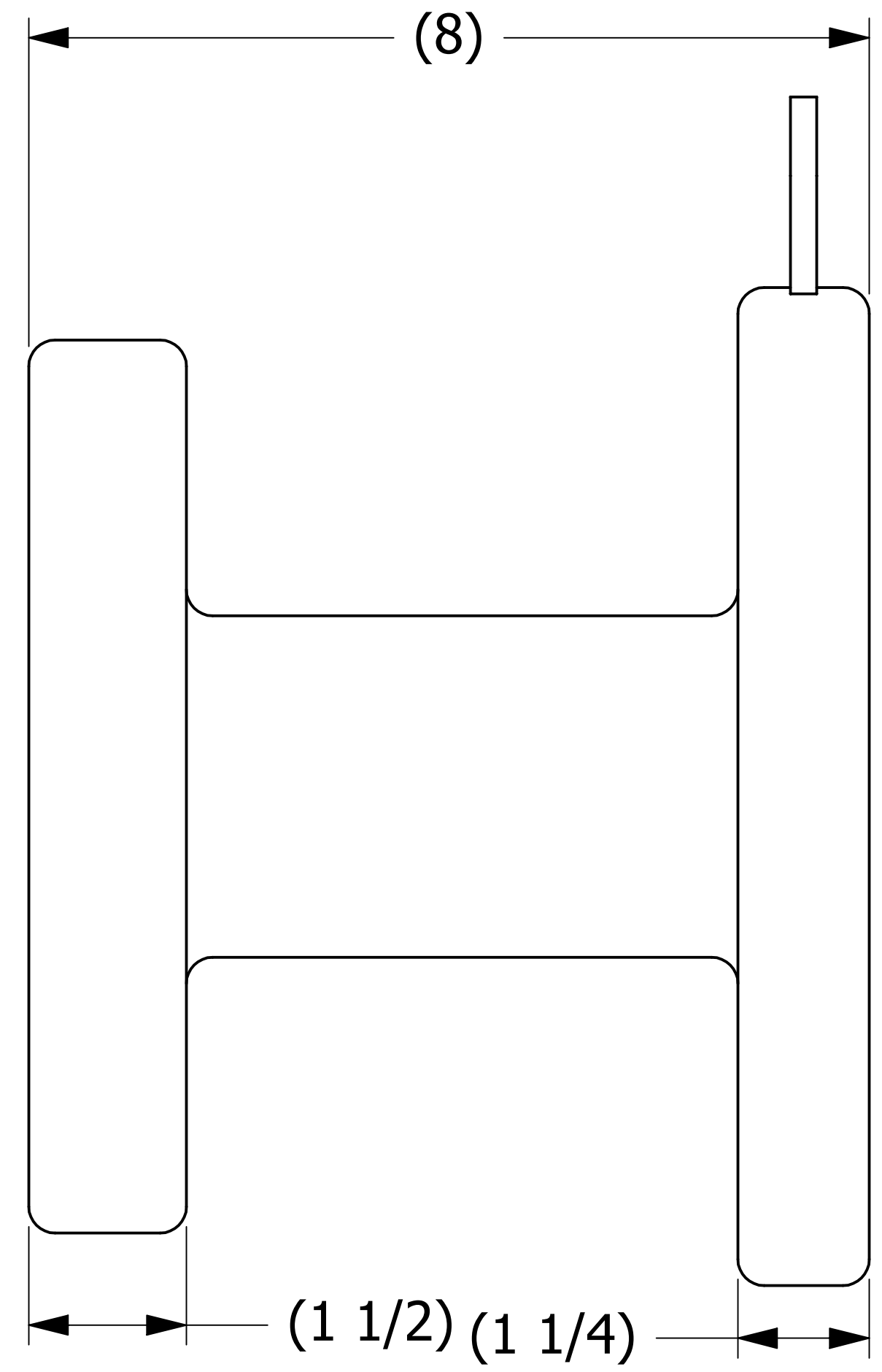
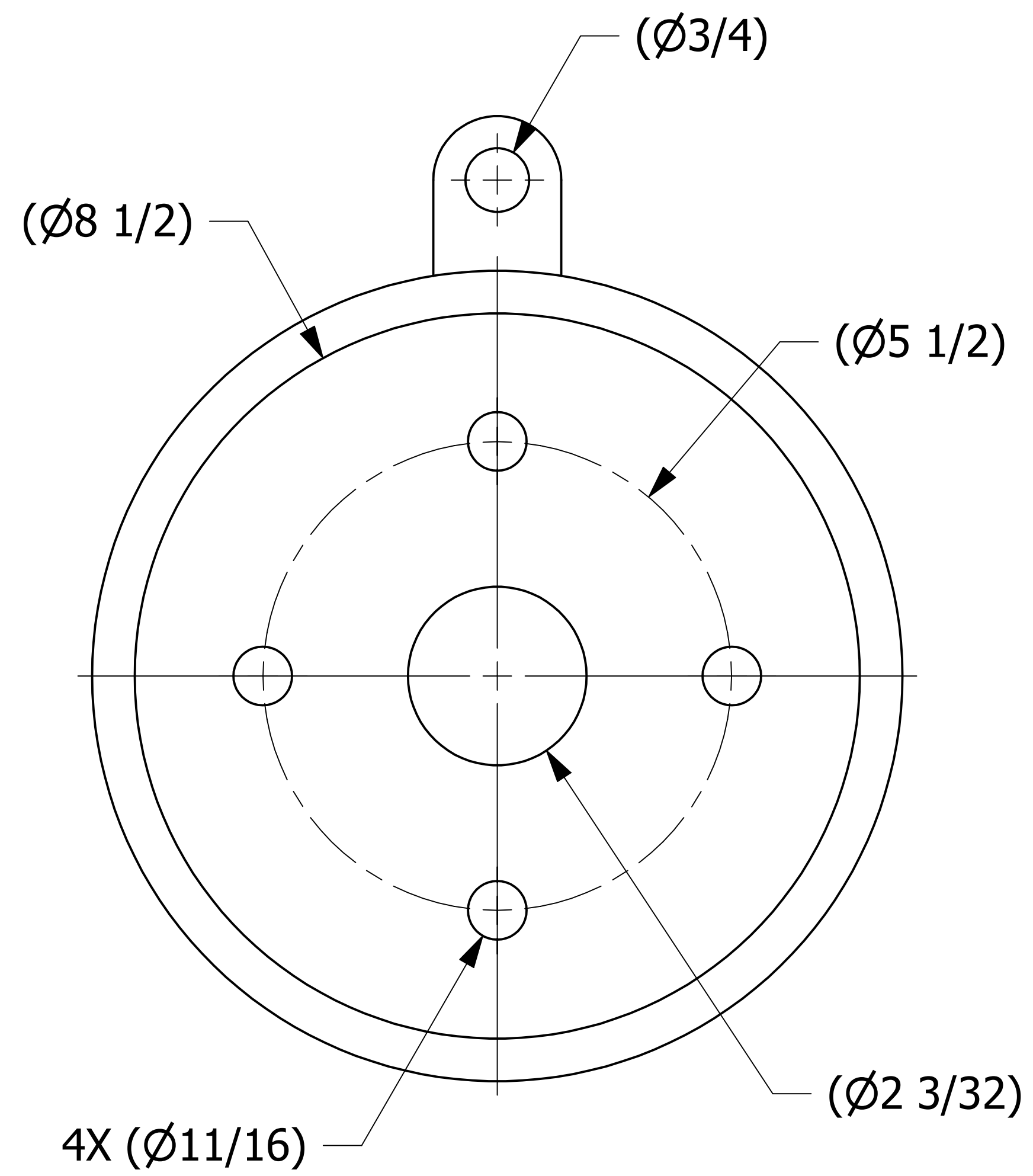


SALES DRAWING SALES DRAWING

SALES DRAWING SALES DRAWING



B	JRS	9-14-11	DRAWING ADDED TO THE NETWORK
A	CHL	4-27-11	ADDED PART# & UPDATED LINNING MATERIAL NOTE & BOM
REV	BY	DATE	DESCRIPTION

<small>UNLESS OTHERWISE SPECIFIED DIMENSIONAL TOLERANCES</small> FRACTIONAL: ±1/16 X.XX: ±.03 X.XXX: ±.015 ANGULAR: ±1° <small>THIS PRINT, PROPERTY OF SALCO PRODUCTS INC, CONTAINS PROPRIETARY INFORMATION AND MUST NOT BE COPIED, REPRODUCED, OR USED DETRIMENTALLY TO OUR INTEREST.</small> THIRD ANGLE PROJECTION	DRAWN BY:	CHL
	CHECKED BY:	VD
	PROTOTYPE BY:	CHL
	PROTOTYPE DATE:	4/5/2011
	APPROVED FOR PRODUCTION BY:	
	PRODUCTION DATE:	

SALCO PRODUCTS, INC.

DOUBLE FLANGE 5 1/2"X7 1/2"

MATERIAL: **SEE BOM/NOTES**

PROJECT #:	110404	SHEET #:	1 OF 1	SCALE:	1:1
DRAWING #:	D30540	PART #:	DF5575RLB02		